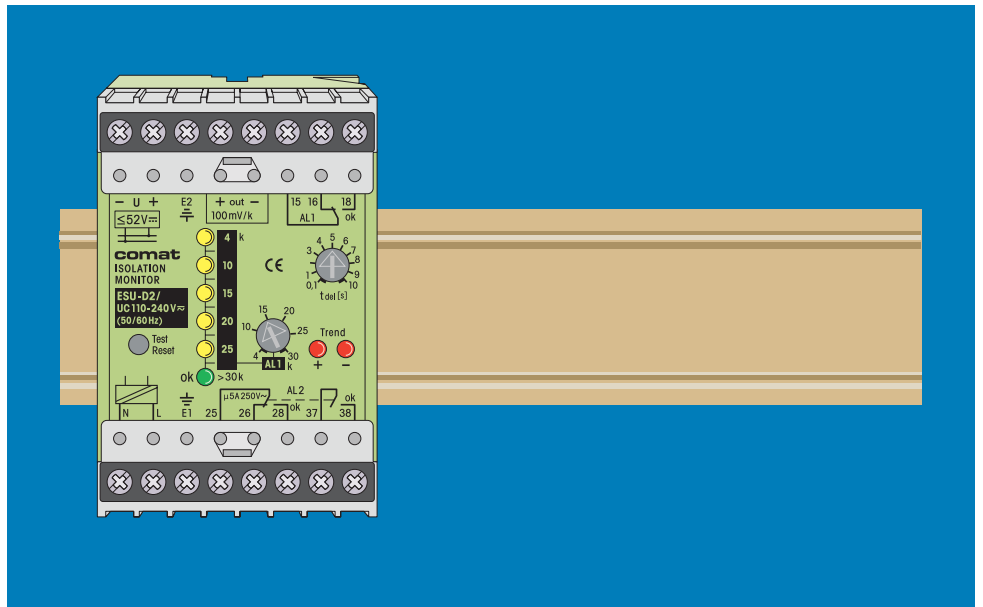


Monitoring Relays

Isolation Monitoring

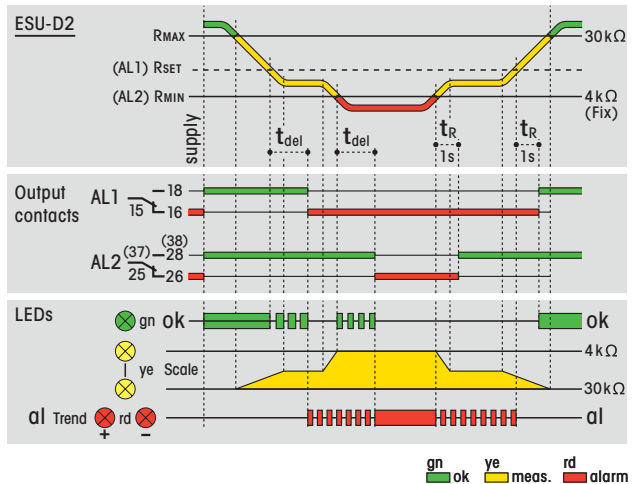
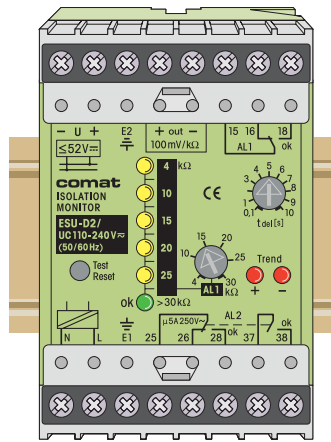
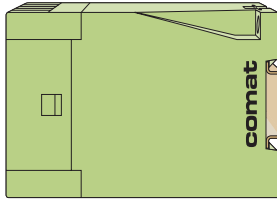


DIN



Comat products comply with different international standards and are certified accordingly.

Lloyd's; IEC 61810; EN 60974



ESU-D2

The ESU-D2 monitors the isolation resistance in non-grounded DC-networks (24-48V_{DC}).

Two alarm steps (prealarm AL1 and main alarm AL2) are indicated via separate output contacts.

Settable alarm delay (t_{del}): 0,1-10sec.

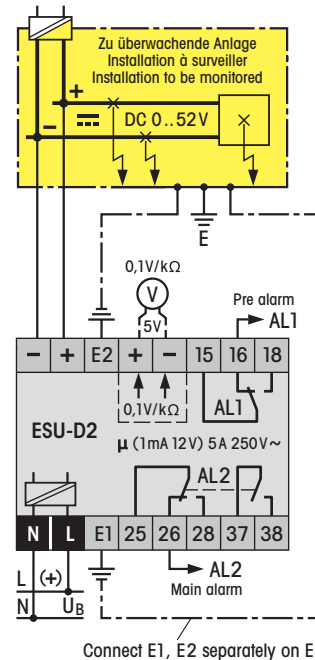
Displays: bargraph-display of the measured earthing resistance 4...30kΩ (green = ok). Two red LEDs show the ground tendency towards plus (+) or minus (-).

Measuring terminal 5V for the external display of the earthing resistance (0,1V/kΩ).

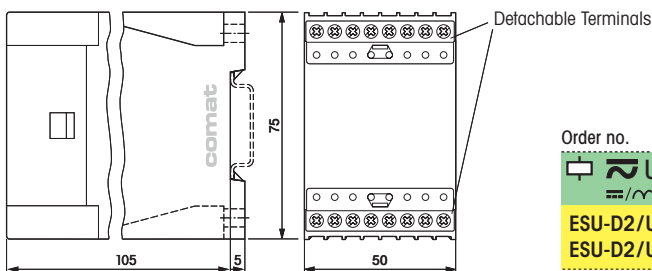
Test functions: Periodic automatic check, also with key "Test".

Environmental failures: monitoring of AC-short circuit, overvoltage, ground interruption.

	Data at Tamb. = 20°C
Measuring range	1k...50k / 0...52VDC
Error of measurement	≤ 10%
Setting range AL1/AL2	4-30kΩ / 4kΩ fix
Time of error-detection	≤ 800ms / 30kΩ
Alarm delay time settable	0,1-10s
Voltage stability + or -/earth	AC250V
<hr/>	
	Switching current/voltage
	5A 250V~
	Switch rating
	1250VA/...150W
	Mechanical switching cycles
	5x10 ⁶
<hr/>	
	Voltage tolerance AC/UC
	U _N ± 15% / U _N ± 20%
	Power consumption
	2W
	Ambient temperature
	(-25)0...50(60)°C



Only one ESU-D2 per DC network!



Order no.

UC (AC/DC)

ESU-D2/UC110-240V

ESU-D2/UC24-48V



Kühn Controls AG

Notes:

You want more information about this product, please call us: tel: +49 (0)7082-940000 or send us a fax: +49 (0)7082-940001, or email: sales@kuehn-controls.de or visit our Website: www.kuehn-controls.de